











Bloom is offered in two sizes, five finishes, and in semi-recessed, ceiling pendant or suspended configuration, so you can find the perfect fit for your space.

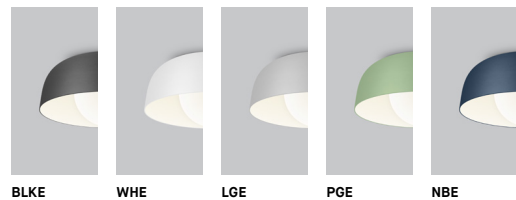


# BLOOM 1209

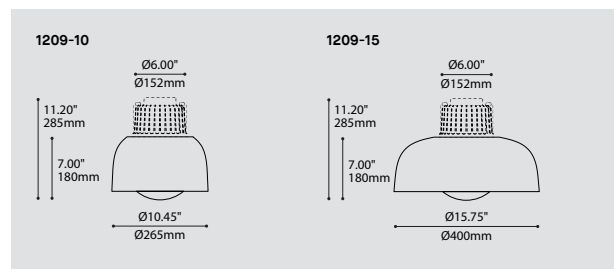
PROJECT PROJÉT
SPEC TYPE
NOTES



## FINISH FINI



## FAMILY FAMILLE



[QUICKSHIP](#) [CLICK HERE / CLIQUEZ ICI](#)

ORDERING SPECIFICATION	SPÉCIFICATION DE COMMANDE	CODE
<b>MODEL</b> MODÈLE		
1209-10	BLOOM 10"	
1209-15	BLOOM 15"	
<b>LIGHT SOURCE</b> SOURCE LUMINEUSE		<b>LED</b>
<b>LED</b>	REGULAR OUTPUT	
<b>COLOR TEMPERATURE</b> TEMPÉRATURE DE COULEUR		
27*	2700K	
30	3000K	
35	3500K	
40	4000K	
	* LONGER LEAD TIME MAY APPLY, PLEASE CONTACT YOUR EUREKA REPRESENTATIVE	
<b>COLOR RENDERING INDEX (CRI)</b> INDICE DE RENDU DE COULEUR (IRC)		
80	80+ CRI	
90*	90+ CRI	
	* LONGER LEAD TIME MAY APPLY, PLEASE CONTACT YOUR EUREKA REPRESENTATIVE	
<b>VOLTAGE</b> VOLTAGE		
120V	120 VOLT	
277V	277 VOLT	
<b>DIMMING OPTION</b> OPTION DE GRADATION		
DV	0-10V DIMMING (120V-277V)	
DP	PHASE DIMMING (120V ONLY)	
	LED DIMMING DRIVER IS STANDARD IN THIS PRODUCT, PLEASE SPECIFY YOUR DIMMING TYPE.	
<b>EMERGENCY BATTERY</b> BATTERIE D'URGENCE		
	FOR 120-277V, EM DRIVER BOX INCLUDED, INSTALLED REMOTELY. SEE EM GUIDE FOR DETAILS.	
<b>EMB*</b>	EMERGENCY BATTERY FOR REMOTE BOX	
	* 3981EA ACCESSORY IS REQUIRED	
<b>SHADE FINISH</b> FINI ABAT-JOUR <sup>(A)</sup>		
BLKE	BLACK FINE TEXTURE	
WHE	WHITE FINE TEXTURE	
LGE	LIGHT GREY FINE TEXTURE	
PGE	PALE GREEN FINE TEXTURE	
NBE	NAVY BLUE FINE TEXTURE	
RAL*	PLEASE SPECIFY RAL CODE	
	<sup>(A)</sup> SHADE INTERIOR IS ALWAYS WHITE	
	* LONGER LEAD TIME MAY APPLY, PLEASE CONTACT YOUR EUREKA REPRESENTATIVE	
<b>DIFFUSER FINISH</b> FINI DIFFUSEUR		<b>WH</b>
WH	WHITE	
<b>ACCESSORY</b> ACCESSOIRE		
3981EA	ELECTRICAL BOX FOR EMB EMERGENCY BATTERY	

## PRODUCT CHARACTERISTICS CARACTÉRISTIQUES DU PRODUIT



**DESIGN:** Bloom is a light fixture with a soft and inviting shape. Under the colorful shade hides a luminous globe offering a generous amount of soft light. Bloom is available in two sizes and a variety of different finishes.

**INSTALLATION:** Recessed mounting system allows for simple and secure installation in a variety of ceiling types from 0.375" (9.5mm) to 2.75" (70mm) thick, accommodating renovation projects.

**LIGHT SOURCE:** A central powerful COB type light source project a powerful light, softened by the spherical polymer diffuser to create a light that is efficient, yet soft to the eye. Offered with phase or 0-10V gradation options.

**CONSTRUCTION:** High-performance die-cast aluminum heatsink with textured black finish. Spun aluminum shades, offered in a wide variety of external finishes with a white internal finish for optimal light reflection.

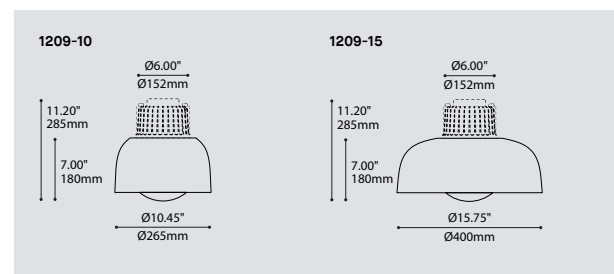
**CERTIFIED:** c-CSA-us

# BLOOM 1209

PROJECT PROJÉT
SPEC TYPE
NOTES



## FINISH FINI



ORDERING SPECIFICATION	SPÉCIFICATION DE COMMANDE	CODE
<b>QUICKSHIP</b>		
QS5	QUICKSHIP 5 DAYS - MAXIMUM 5 UNITS	QUICKSHIP 5 JOURS - MAXIMUM 5 UNITÉS
QS10	QUICKSHIP 10 DAYS - MAXIMUM 20 UNITS	QUICKSHIP 10 JOURS - MAXIMUM 20 UNITÉS
<b>MODEL</b> MODÈLE		
1209-10	BLOOM 10"	
1209-15	BLOOM 15"	
<b>LIGHT SOURCE</b> SOURCE LUMINEUSE		<b>LED</b>
<b>LED</b>	REGULAR OUTPUT	
<b>COLOR TEMPERATURE</b> TEMPÉRATURE DE COULEUR		
30	3000K	
35	3500K	
40	4000K	
<b>COLOR RENDERING INDEX (CRI)</b> INDICE DE RENDU DE COULEUR (IRC)		<b>80</b>
80	80+ CRI	
<b>VOLTAGE</b> VOLTAGE		
120V	120 VOLT	
277V	277 VOLT	
<b>DIMMING OPTION</b> OPTION DE GRADATION		
DV	0-10V DIMMING (120V-277V)	
DP	PHASE DIMMING (120V ONLY)	
	LED DIMMING DRIVER IS STANDARD IN THIS PRODUCT, PLEASE SPECIFY YOUR DIMMING TYPE.	
<b>SHADE FINISH</b> FINI ABAT-JOUR <sup>(A)</sup>		
BLKE	BLACK FINE TEXTURE	
WHE	WHITE FINE TEXTURE	
	<sup>(A)</sup> SHADE INTERIOR IS ALWAYS WHITE	
<b>DIFFUSER FINISH</b> FINI DIFFUSEUR		<b>WH</b>
WH	WHITE	

ADDITIONAL OPTIONS AVAILABLE ON STANDARD SHIPPING / OPTIONS ADDITIONNELLES DISPONIBLES EN LIVRAISON STANDARD

## PRODUCT CHARACTERISTICS CARACTÉRISTIQUES DU PRODUIT



**DESIGN:** Bloom is a light fixture with a soft and inviting shape. Under the colorful shade hides a luminous globe offering a generous amount of soft light. Bloom is available in two sizes and a variety of different finishes.

**INSTALLATION:** Recessed mounting system allows for simple and secure installation in a variety of ceiling types from 0.375" (9.5mm) to 2.75" (70mm) thick, accommodating renovation projects.

**LIGHT SOURCE:** A central powerful COB type light source project a powerful light, softened by the spherical polymer diffuser to create a light that is efficient, yet soft to the eye. Offered with phase or 0-10V gradation options.

**CONSTRUCTION:** High-performance die-cast aluminum heatsink with textured black finish. Spun aluminum shades, offered in a wide variety of external finishes with a white internal finish for optimal light reflection.

**CERTIFIED:** c-CSA-us

# BLOOM 4269

PROJECT PROJET
SPEC TYPE
NOTES



## FINISH FINI



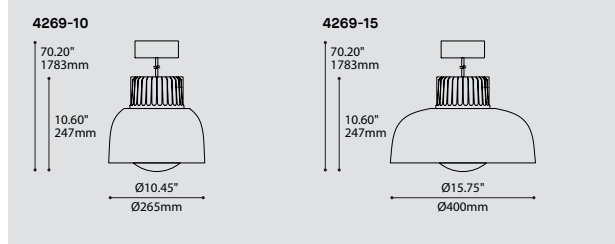
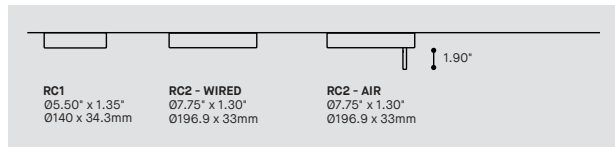
BLKE WHE LGE PGE NBE

## FAMILY FAMILLE



1209-10 4769-15 4768-10  
4268-15 1200 4267

## MOUNTING OPTIONS OPTIONS DE MONTAGE



[QUICKSHIP](#) [CLICK HERE / CLIQUEZ ICI](#)

ORDERING SPECIFICATION	SPÉCIFICATION DE COMMANDE	CODE
<b>MODEL</b> MODÈLE		
4269-10	BLOOM 10"	
4269-15	BLOOM 15"	
<b>LIGHT SOURCE</b> SOURCE LUMINEUSE		<b>LED</b>
<b>LED</b>	REGULAR OUTPUT	
<b>COLOR TEMPERATURE</b> TEMPÉRATURE DE COULEUR		
27*	2700K	
30	3000K	
35	3500K	
40	4000K	
	* LONGER LEAD TIME MAY APPLY, PLEASE CONTACT YOUR EUREKA REPRESENTATIVE	
<b>COLOR RENDERING INDEX (CRI)</b> INDICE DE RENDU DE COULEUR (IRC)		
80	80+ CRI	
90*	90+ CRI	
	* LONGER LEAD TIME MAY APPLY, PLEASE CONTACT YOUR EUREKA REPRESENTATIVE	
<b>VOLTAGE</b> VOLTAGE		
120V	120 VOLT	
277V	277 VOLT	
<b>CONTROL OPTION</b> OPTION DE CONTRÔLE		
DV	0-10V DIMMING (120V-277V)	
DP	PHASE DIMMING (120V ONLY)	
NLTAIR2*	NLIGHT AIR CONTROL GEN 2	
NLIGHT*	NLIGHT WIRED CONTROL	
	* REQUIRES RC2 CANOPY	
	* EMERGENCY BATTERY NOT AVAILABLE WITH NLIGHT OPTIONS	
	REFER TO NLIGHT GUIDE AND INSTALLATION SHEET FOR ALL REQUIREMENTS.	
<b>EMERGENCY BATTERY</b> BATTERIE D'URGENCE		
	FOR 120-277V, EM DRIVER BOX INCLUDED, INSTALLED REMOTELY. SEE EM GUIDE FOR DETAILS.	
EMB*	EMERGENCY BATTERY FOR REMOTE BOX	
	* 3981EA ACCESSORY IS REQUIRED	
<b>CABLE</b> CABLE		<b>C</b>
C	BLACK CABLE, FIELD ADJUSTABLE	
<b>CABLE LENGTH</b> LONGUEUR DE CABLE		
60	60" CABLE (STD LENGTH)	
**	CUSTOM CABLE LENGTH (PLEASE SPECIFY)	
	FOR OVERALL LENGTH, PLEASE CONTACT YOUR EUREKA REPRESENTATIVE.	
<b>MOUNTING</b> MONTAGE		
	ROUND CANOPY / PAVILLON ROND	
RC1	SCREWLESS CANOPY Ø5.50" X 1.35" (2473F)	
RC2	NLIGHT SCREWLESS CANOPY Ø7.75" X 1.30" (2474H)	
<b>CANOPY FINISH</b> FINI PAVILLON		
BLKE	BLACK FINE TEXTURE	
WHE	WHITE FINE TEXTURE	
<b>SHADE FINISH</b> FINI ABAT-JOUR <sup>(A)</sup> <sup>(B)</sup>		
BLKE	BLACK FINE TEXTURE	
WHE	WHITE FINE TEXTURE	
LGE	LIGHT GREY FINE TEXTURE	
PGE	PALE GREEN FINE TEXTURE	
NBE	NAVY BLUE FINE TEXTURE	
RAL*	PLEASE SPECIFY RAL CODE	
	<sup>(A)</sup> SHADE INTERIOR IS ALWAYS WHITE	
	<sup>(B)</sup> HEATSINK IS ALWAYS BLACK	
	* LONGER LEAD TIME MAY APPLY, PLEASE CONTACT YOUR EUREKA REPRESENTATIVE	
<b>DIFFUSER FINISH</b> FINI DIFFUSEUR		<b>WH</b>
WH	WHITE	
<b>ACCESSORY</b> ACCESSOIRE		
3981EA	ELECTRICAL BOX FOR EMB EMERGENCY BATTERY	

# BLOOM 4269

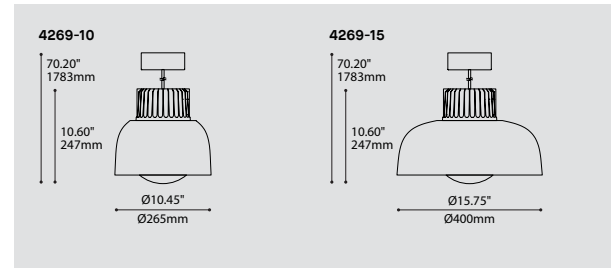
PROJECT PROJET
SPEC TYPE
NOTES



## FINISH FINI



BLKE WHE



ORDERING SPECIFICATION	SPÉCIFICATION DE COMMANDE	CODE
<b>QUICKSHIP</b>		
QS5	QUICKSHIP 5 DAYS - MAXIMUM 5 UNITS	QUICKSHIP 5 JOURS - MAXIMUM 5 UNITÉS
QS10	QUICKSHIP 10 DAYS - MAXIMUM 20 UNITS	QUICKSHIP 10 JOURS - MAXIMUM 20 UNITÉS
<b>MODEL</b> MODÈLE		
4269-10	BLOOM 10"	
4269-15	BLOOM 15"	
<b>LIGHT SOURCE</b> SOURCE LUMINEUSE		<b>LED</b>
<b>LED</b>	REGULAR OUTPUT	
<b>COLOR TEMPERATURE</b> TEMPÉRATURE DE COULEUR		
30	3000K	
35	3500K	
40	4000K	
<b>COLOR RENDERING INDEX (CRI)</b> INDICE DE RENDU DE COULEUR (IRC)		<b>80</b>
80	80+ CRI	
<b>VOLTAGE</b> VOLTAGE		
120V	120 VOLT	
277V	277 VOLT	
<b>DIMMING OPTION</b> OPTION DE GRADATION		
DV	0-10V DIMMING (120V-277V)	
DP	PHASE DIMMING (120V ONLY)	
	LED DIMMING DRIVER IS STANDARD IN THIS PRODUCT, PLEASE SPECIFY YOUR DIMMING TYPE.	
<b>CABLE</b> CABLE		<b>C</b>
C	BLACK CABLE, FIELD ADJUSTABLE	
<b>CABLE LENGTH</b> LONGUEUR DE CABLE		
60	60" CABLE (STD LENGTH)	
**	CUSTOM CABLE LENGTH (PLEASE SPECIFY)	
	FOR OVERALL LENGTH, PLEASE CONTACT YOUR EUREKA REPRESENTATIVE.	
<b>CANOPY FINISH</b> FINI PAVILLON		
BLKE	BLACK FINE TEXTURE	
WHE	WHITE FINE TEXTURE	
<b>SHADE FINISH</b> FINI ABAT-JOUR <sup>(A)</sup> <sup>(B)</sup>		
BLKE	BLACK FINE TEXTURE	
WHE	WHITE FINE TEXTURE	
	<sup>(A)</sup> SHADE INTERIOR IS ALWAYS WHITE	
	<sup>(B)</sup> HEATSINK IS ALWAYS BLACK	
<b>DIFFUSER FINISH</b> FINI DIFFUSEUR		<b>WH</b>
WH	WHITE	

## PRODUCT CHARACTERISTICS CARACTÉRISTIQUES DU PRODUIT

**BIM** **DIM** **EMB** **IES** **LED**

**DESIGN:** Bloom is a light fixture with a soft and inviting shape. Under the colorful shade hides a luminous globe offering a generous amount of soft light. Bloom is available in two sizes and a variety of different finishes.

**INSTALLATION:** Easy to install and adjust single power cable mounting.

**LIGHT SOURCE:** A central powerful COB type light source project a powerful light, softened by the spherical polymer diffuser to create a light that is efficient, yet soft to the eye. Offered with phase or 0-10V gradation options.

**CONSTRUCTION:** High-performance die-cast aluminum heatsink with textured black finish. Spun aluminum shades, offered in a wide variety of external finishes with a white internal finish for optimal light reflection.

**CERTIFIED:** c-CSA-us, c-UL-us

# BLOOM 4769

PROJECT PROJÉT
SPEC TYPE
NOTES



## FINISH FINI



BLKE WHE LGE PGE NBE

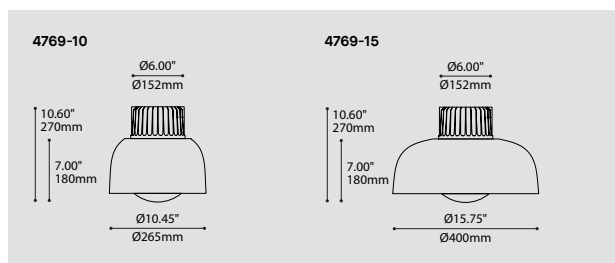
## FAMILY FAMILLE



1209-10 4269-15 4768-10



4268-15 1200 4267



[QUICKSHIP](#) [CLICK HERE / CLIQUEZ ICI](#)

## ORDERING SPECIFICATION SPÉCIFICATION DE COMMANDE

CODE

### MODEL MODÈLE

4769-10	BLOOM 10"
4769-15	BLOOM 15"

### LIGHT SOURCE SOURCE LUMINEUSE

LED

LED	REGULAR OUTPUT
-----	----------------

### COLOR TEMPERATURE TEMPÉRATURE DE COULEUR

27*	2700K
30	3000K
35	3500K
40	4000K

\* LONGER LEAD TIME MAY APPLY, PLEASE CONTACT YOUR EUREKA REPRESENTATIVE

### COLOR RENDERING INDEX (CRI) INDICE DE RENDU DE COULEUR (IRC)

80	80+ CRI
90*	90+ CRI

\* LONGER LEAD TIME MAY APPLY, PLEASE CONTACT YOUR EUREKA REPRESENTATIVE

### VOLTAGE VOLTAGE

120V	120 VOLT
277V	277 VOLT

### CONTROL OPTION OPTION DE CONTRÔLE

DV	0-10V DIMMING (120V-277V)
DP	PHASE DIMMING (120V ONLY)
NLTAIR2*	NLIGHT AIR CONTROL GEN 2
NLIGHT*	NLIGHT WIRED CONTROL

\* NLIGHT INTEGRATION REQUIRES A REMOTE POWER PACK (39NLAB FOR NLTAIR2 OR 39NLWB FOR NLIGHT)  
\* EMERGENCY BATTERY NOT AVAILABLE WITH NLIGHT OPTIONS  
REFER TO NLIGHT GUIDE AND INSTALLATION SHEET FOR ALL REQUIREMENTS.

### EMERGENCY BATTERY BATTERIE D'URGENCE

FOR 120-277V, EM DRIVER BOX INCLUDED, INSTALLED REMOTELY, SEE EM GUIDE FOR DETAILS.

EMB*	EMERGENCY BATTERY FOR REMOTE BOX
------	----------------------------------

\* 3981EA ACCESSORY IS REQUIRED

### HEATSINK FINISH FINI RADIATEUR

BLKE

BLKE	BLACK FINE TEXTURE
------	--------------------

### SHADE FINISH FINI ABAT-JOUR (A)

BLKE	BLACK FINE TEXTURE
WHE	WHITE FINE TEXTURE
LGE	LIGHT GREY FINE TEXTURE
PGE	PALE GREEN FINE TEXTURE
NBE	NAVY BLUE FINE TEXTURE
RAL*	PLEASE SPECIFY RAL CODE

(A) SHADE INTERIOR IS ALWAYS WHITE  
\* LONGER LEAD TIME MAY APPLY, PLEASE CONTACT YOUR EUREKA REPRESENTATIVE

### DIFFUSER FINISH FINI DIFFUSEUR

WH

WH	WHITE
----	-------

### ACCESSORY ACCESSOIRE

3983

ALL ACCESSORIES ARE AVAILABLE FOR ADVANCE SHIPPING

3983	DEEP JUNCTION BOX
39NLAA*	NLIGHT AIR GEN 2 REMOTE CONTROL BOX
39NLWA	NLIGHT WIRED REMOTE CONTROL BOX

\* FOR CHICAGO PLENUM INSTALLATION, PLEASE CONTACT YOUR EUREKA REPRESENTATIVE.

### EMERGENCY BATTERY ACCESSORY ACCESSOIRE BATTERIE D'URGENCE

3981EA	ELECTRICAL BOX FOR EMB EMERGENCY BATTERY
--------	--

## PRODUCT CHARACTERISTICS CARACTÉRISTIQUES DU PRODUIT



**DESIGN:** Bloom is a light fixture with a soft and inviting shape. Under the colorful shade hides a luminous globe offering a generous amount of soft light. Bloom is available in two sizes and a variety of different finishes.

**INSTALLATION:** Ceiling installation on deep junction box (supplied with light fixture).

**LIGHT SOURCE:** A central powerful COB type light source project a powerful light, softened by the spherical polymer diffuser to create a light that is efficient, yet soft to the eye. Offered with phase or 0-10V gradation options.

**CONSTRUCTION:** High-performance die-cast aluminum heatsink with textured black finish. Spun aluminum shades, offered in a wide variety of external finishes with a white internal finish for optimal light reflection.

**CERTIFIED:** c-CSA-us, c-UL-us

# BLOOM 4769

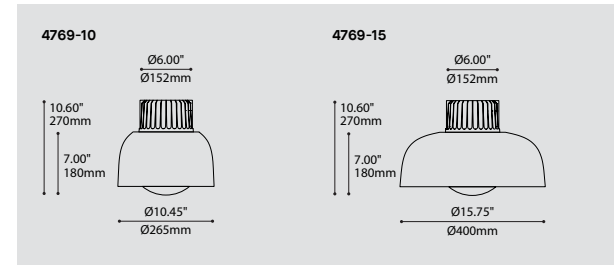
PROJECT PROJÉT
SPEC TYPE
NOTES



## FINISH FINI



BLKE WHE



## ORDERING SPECIFICATION SPÉCIFICATION DE COMMANDE

CODE

### QUICKSHIP

QS5	QUICKSHIP 5 DAYS - MAXIMUM 5 UNITS	QUICKSHIP 5 JOURS - MAXIMUM 5 UNITÉS
QS10	QUICKSHIP 10 DAYS - MAXIMUM 20 UNITS	QUICKSHIP 10 JOURS - MAXIMUM 20 UNITÉS

### MODEL MODÈLE

4769-10	BLOOM 10"
4769-15	BLOOM 15"

### LIGHT SOURCE SOURCE LUMINEUSE

LED

LED	REGULAR OUTPUT
-----	----------------

### COLOR TEMPERATURE TEMPÉRATURE DE COULEUR

30	3000K
35	3500K
40	4000K

### COLOR RENDERING INDEX (CRI) INDICE DE RENDU DE COULEUR (IRC)

80

80	80+ CRI
----	---------

### VOLTAGE VOLTAGE

120V	120 VOLT
277V	277 VOLT

### DIMMING OPTION OPTION DE GRADATION

DV	0-10V DIMMING (120V-277V)
DP	PHASE DIMMING (120V ONLY)

LED DIMMING DRIVER IS STANDARD IN THIS PRODUCT, PLEASE SPECIFY YOUR DIMMING TYPE.

### HEATSINK FINISH FINI RADIATEUR

BLKE

BLKE	BLACK FINE TEXTURE
------	--------------------

### SHADE FINISH FINI ABAT-JOUR (A)

BLKE	BLACK FINE TEXTURE
WHE	WHITE FINE TEXTURE

(A) SHADE INTERIOR IS ALWAYS WHITE

### DIFFUSER FINISH FINI DIFFUSEUR

WH

WH	WHITE
----	-------

### ACCESSORY ACCESSOIRE

3983

3983	DEEP JUNCTION BOX
------	-------------------

ADDITIONAL OPTIONS AVAILABLE ON STANDARD SHIPPING / OPTIONS ADDITIONNELLES DISPONIBLES EN LIVRAISON STANDARD

## PRODUCT CHARACTERISTICS CARACTÉRISTIQUES DU PRODUIT



**DESIGN:** Bloom is a light fixture with a soft and inviting shape. Under the colorful shade hides a luminous globe offering a generous amount of soft light. Bloom is available in two sizes and a variety of different finishes.

**INSTALLATION:** Ceiling installation on deep junction box (supplied with light fixture).

**LIGHT SOURCE:** A central powerful COB type light source project a powerful light, softened by the spherical polymer diffuser to create a light that is efficient, yet soft to the eye. Offered with phase or 0-10V gradation options.

**CONSTRUCTION:** High-performance die-cast aluminum heatsink with textured black finish. Spun aluminum shades, offered in a wide variety of external finishes with a white internal finish for optimal light reflection.

**CERTIFIED:** c-CSA-us, c-UL-us







# Photometric Report

## 1209-10 - 4269-10 - 4769-10

CCT (K): 4000  
 Delivered Lumens (lm): 1088  
 System wattage (W)\*: 20.4  
 Distribution: Direct  
 Delivered Efficacy (lm/W): 53.3  
 Photometric type: C

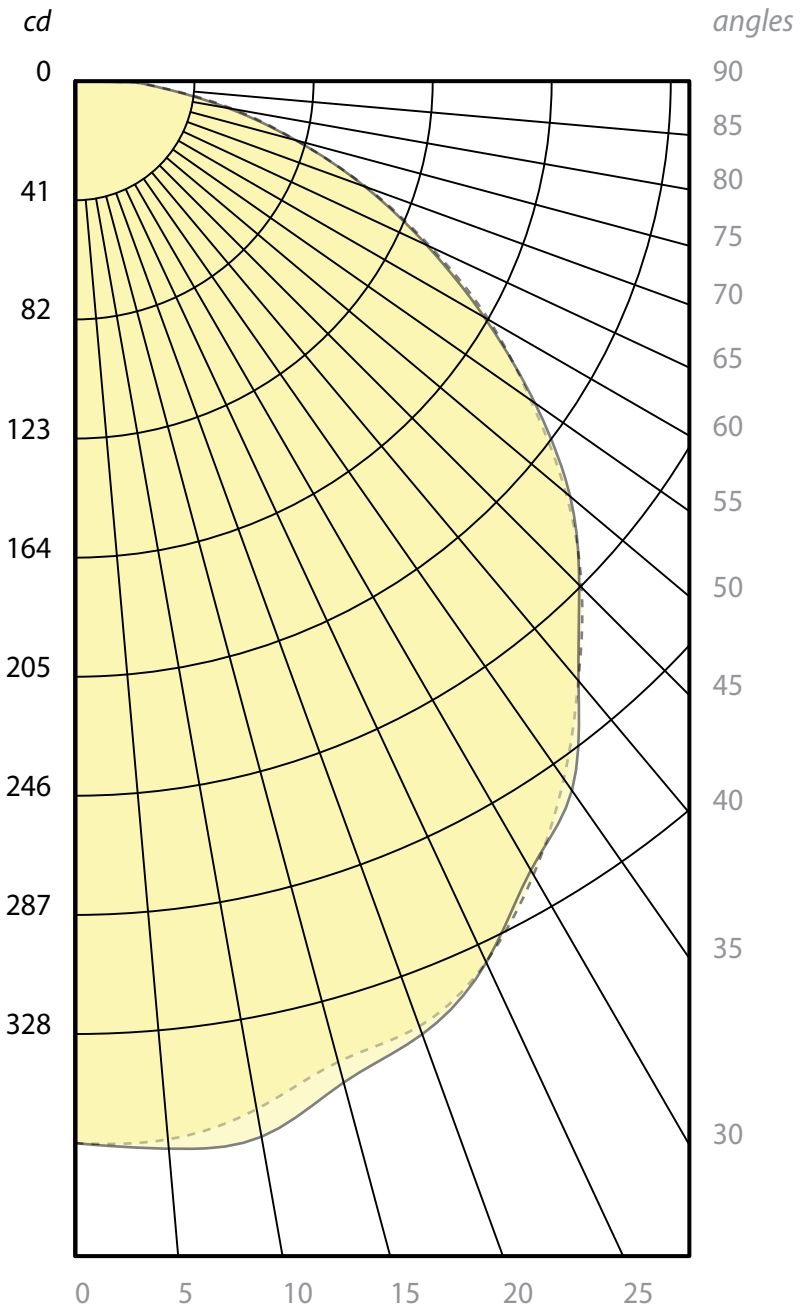
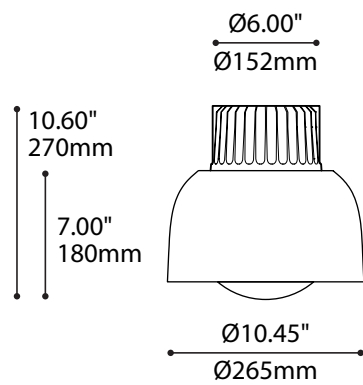
### Luminous dimensions

Luminous shape: Circle  
 Units: in (mm)  
 0-180 Axis: 11.811 (300.00)  
 90-270 Axis: 11.811 (300.00)  
 Height: 11.811 (300.00)

### Luminaire spacing criteria

2 luminaires, plane 0: 1.27  
 2 luminaires, plane 90: 1.26  
 4 luminaires: 1.38

\*System wattage include driver and LED module consumption



—— 0 - 180  
 - - - - 90 - 270

## 1209-15 - 4269-15 - 4769-15

CCT (K): 4000  
 Delivered Lumens (lm): 1408  
 System wattage (W)\*: 20.4  
 Distribution: Direct  
 Delivered Efficacy (lm/W): 69.0  
 Photometric type: C

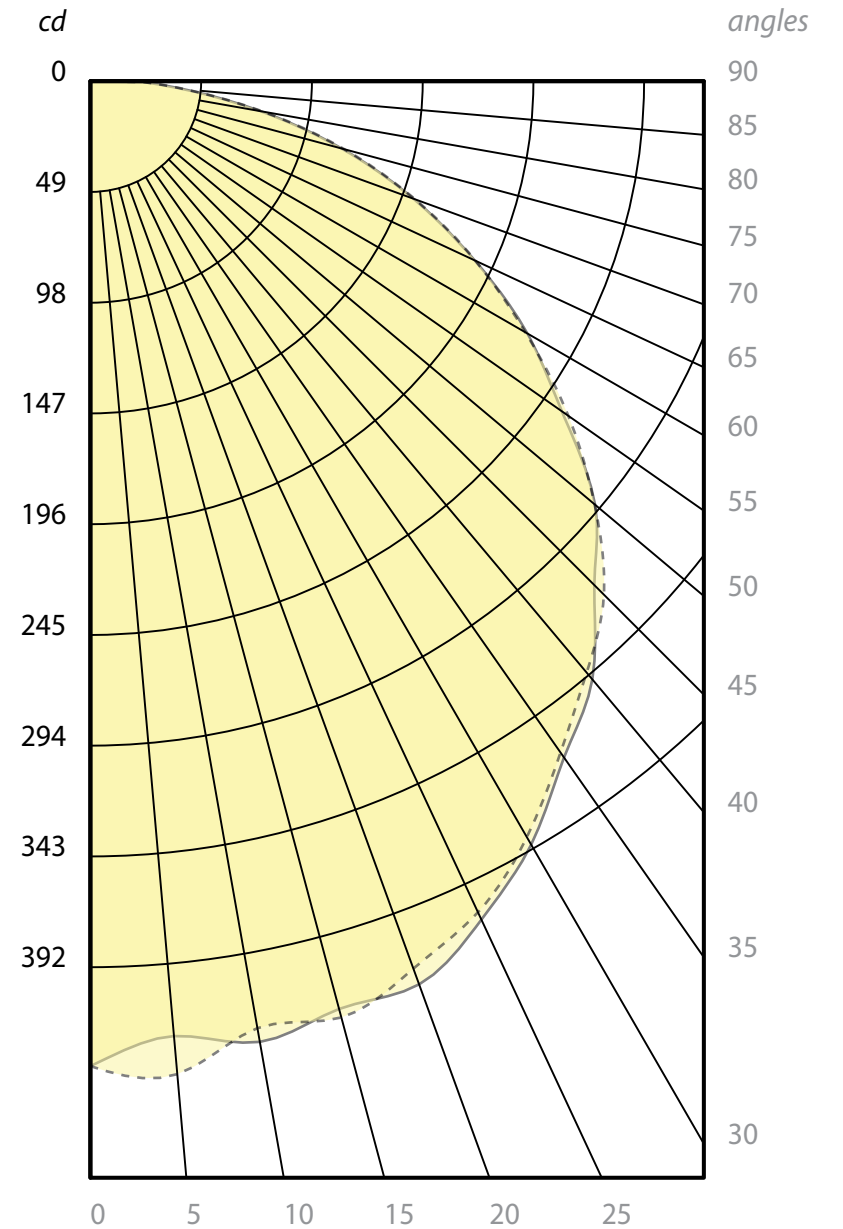
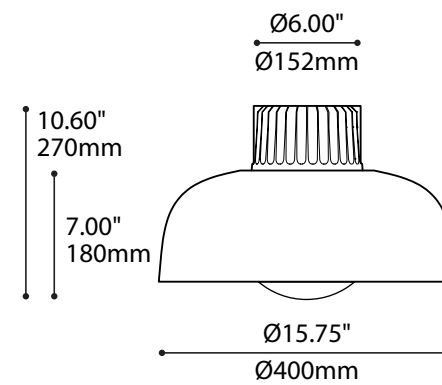
### Luminous dimensions

Luminous shape: Circle  
 Units: in (mm)  
 0-180 Axis: 15.748 (400.00)  
 90-270 Axis: 15.748 (400.00)  
 Height: 11.811 (300.00)

### Luminaire spacing criteria

2 luminaires, plane 0: 1.31  
 2 luminaires, plane 90: 1.30  
 4 luminaires: 1.43

\*System wattage include driver and LED module consumption



—— 0 - 180  
 - - - - 90 - 270



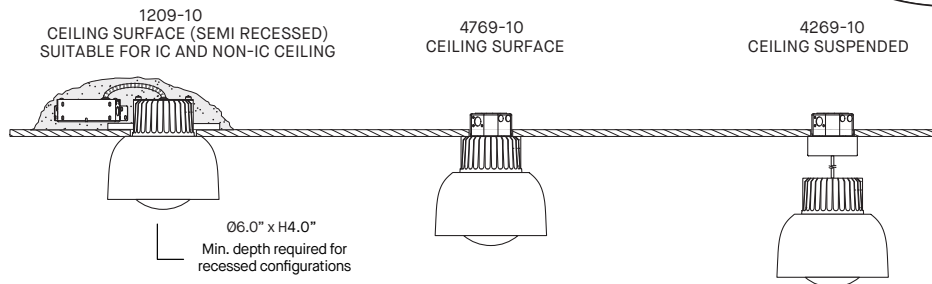
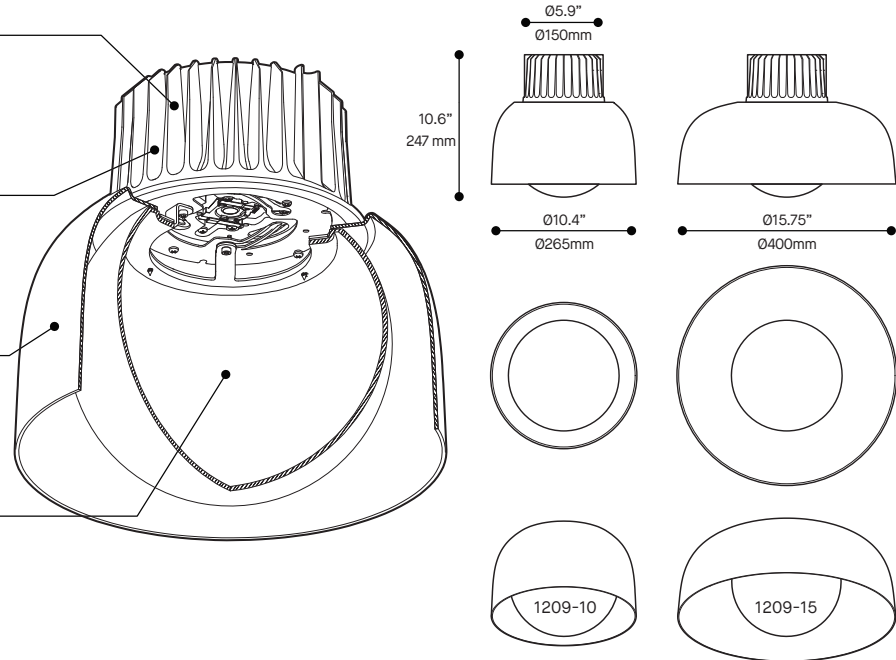
# TECHNICAL DATA

**VERSATILE**  
Fixture is available in many configurations, allowing it to be installed recessed in the ceiling, surface to it, or suspended.

**EFFICIENTLY DESIGNED**  
Custom designed heatsink to diffuse the heat produced by the powerful lightsource in the most efficient way.

**A VARIETY OF SHADES**  
The spun aluminium shade is offered in two sizes and with a variety of finishes so you can find the perfect fit to your room.

**A PLAYFUL GLOW**  
The round diffuser offers a generous amount of soft pleasant light.



PRODUCT SPECIFICATION	1209/4269/4769-10	1209/4269/4769-15
<b>PERFORMANCE</b>		
SYSTEM WATTAGE	20 W	20 W
DELIVERED LUMENS (4000K)	1088LM	1408 LM
EFFICACY	53 LM/W	69 LM/W
<b>OTHER INFORMATIONS</b>		
DIFFUSER	MDPE RESIN	MDPE RESIN
LUMINAIRE'S WEIGHT	8,39 LBS / 3,79 KG	9,21 LBS / 4,19 KG
L70 (LUMEN MAINTENANCE)	> 55 000 HRS	> 55 000 HRS
<b>WELL &amp; LEED STANDARD REQUIREMENTS</b>		
MAX. LUMINANCE 45°-90° OF NADIR	2467 CD/M <sup>2</sup>	1704 CD/M <sup>2</sup>
LIGHT QUALITY	R9 > 50 (90 CRI OPTION)	
FLICKERING TOLERANCE	LOW FLICKER, COMPLIANT TO CALIFORNIA TITLE 24	

## EFFICACY MULTIPLIERS

CRI	CCT	FACTOR
80+	4000K	1.00
80+	3500K	0.99
80+	3000K	0.97
80+	2700K	0.94
90+	4000K	0.89
90+	3500K	0.86
90+	3000K	0.84
90+	2700K	0.80

## LIGHT DISTRIBUTION

